

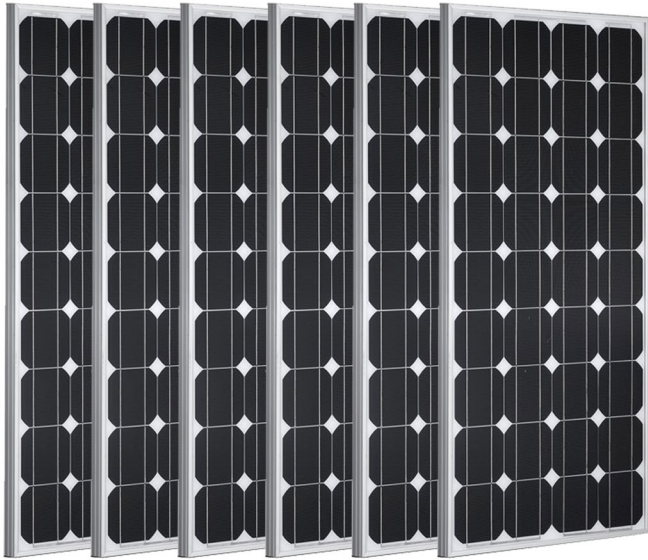
CEP-140M SERIES

Monocrystalline Silicon Solar Module

CEP-140 SERIES

Monocrystalline Silicon Solar Modules

High efficiency photovoltaic module using silicon nitride coated monocrystalline silicon cells

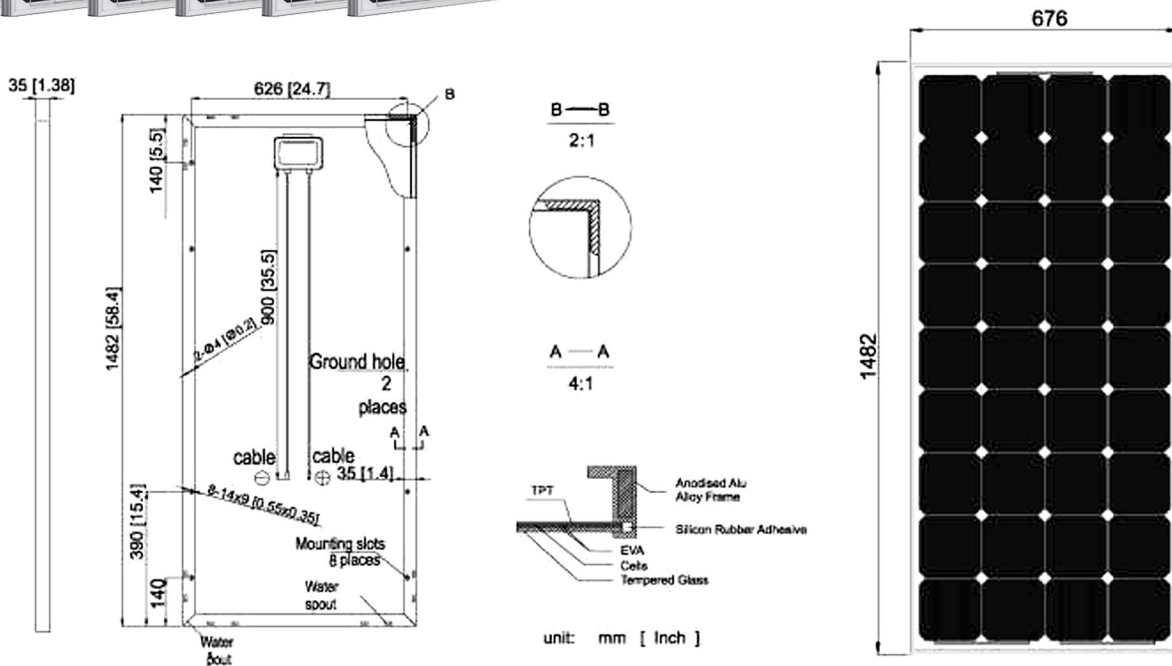


Mechanical Characteristics

Cell Size (mm)	156 x 156
Module Size (mm)	1482 x 676 x 35
No. of cells	36 (4x9)
Frame Type	Aluminium
Weight (Kg)	12
No. of mounting holes	8
No. of waterspouts	16

Temperature Coefficient

NOCT	47°C ± 2°C
Temperature coefficient of I_{sc}	0.03%/°C
Temperature coefficient of V_{oc}	-0.31%/°C
Temperature coefficient of P_{max}	-0.37%/°C
Power Tolerance	± 3%



Electrical Characteristics

Model	CEP-120/12	CEP-125/12	CEP-130/12	CEP-135/12	CEP-140/12	CEP-145/12	CEP-150/12
P_m (Wp)	120	125	130	135	140	145	150
V_{mp} (Volts)	17.5	17.6	17.6	17.8	18.0	18.1	18.2
I_{mp} (Amps)	6.86	7.10	7.39	7.59	7.78	8.01	8.24
V_{oc} (Volts)	22.1	22.1	22.2	22.3	22.3	22.3	22.4
I_{sc} (Amps)	7.49	7.75	7.90	8.06	8.45	8.69	8.91
Max System Voltage	1000VDC	1000VDC	1000VDC	1000VDC	1000VDC	1000VDC	1000VDC

STC : Irradiance 1000W/m², Temperature 25°C, AM=1.5

